

ACTROS 2543 L 6X2



RSP GmbH & CO.KG

Mercedes-Benz
Trucks you can trust



Orderdata (Order 1423506116)

Code	Description	Code	Description
A0B	Axle, wheel mounting track, narrow	K0T	Main tank, left
A1E	Front axle 9.0 t	K1C	Tank, 290 l, left, 650 x 565 x 950 mm, aluminium
A1Z	Front axle, offset version	K3V	AdBlue tank, 60 l, left
A2E	Rear axle, crown wheel 440, hypoid, 13.0 t	K5M	Tanks, lockable
A4R	Trailing axle, 9 t, steered, de-loadable	K5S	Protective cap for AdBlue metering system
A5D	Axle ratio i = 2.846	K7D	Exhaust system, tailpipe to right and outwards
B1B	Electronic braking system with ABS and ASR	L0A	Illumination regulation, in acc. with UN-R 48.06
B1F	Heating, electronic air-processing unit	L1C	LED daytime running lamps
B1H	Electr. compressed air supply and control, centre	L1W	LED turn signals in light signature
B2A	Disc brakes on front and rear axle	L2H	Side marker lamps, flashing
B2X	Parking brake, electronic	L2T	2 LED beacons, visibility possibly less than 360°
B4A	Condensation monitoring, for compressed air sys.	M0C	Bottom shell to prevent swirling-up of dust
B4M	Air reservoir, steel	M0Q	Noise regulation acc. to UN-R 51.03, phase 2
B5A	Trailer brake, 2-line, brake connections, left	M2R	Eng. OM470, inline 6, 10.7 l, 315kW (428hp), 2100 Nm
B5L	Trailer brake connection, rear, DuoMatic+Standard	M4X	Engine version Euro VI, E
C0M	Frame overhang 1350 mm	M5A	2. Engine generation OM470
C2L	Wheelbase 4300 mm	M5V	High Performance Engine Brake
C5H	Attachment fixtures, rigid	M6L	Air compressor, 2-cylinder
C5P	Bolted frame	M7I	Insect screen in front of cooling system
C6C	Steering, single-circuit	M7T	Water pump, governed
C6I	Power steering pump, controlled	M8A	Air intake from front
C6Q	Stabiliser, front axle	N3L	Double PTO MB 123-11b/1c, flange + MPA, lowspeed
C6U	Extra anti-roll bar, rear/trailing axle	N6Z	Transmission oil cooling
C7A	Rear underride guard (ECE)	OWY	Interior measures upgrade
C7F	Front underride guard (ECE), aluminium	O0A	Coolant service interval, long for non-SWR
C7J	Battery carrier, batteries side by side	O0T	TruckLive
C8B	Rear wing, 2550 mm vehicle width	O1M	Control command, special paint finish, chassis
C8H	Wing, 3-piece, with EC splash guard	O1T	Interior colour greige/anthracite
C8I	Splash guard (EC), front	O1Z	Steering, indirect
D0S	Compressed-air connection, in cab	O2N	Starter Melco 95P65
D1C	Driver's suspension seat, comfort	O2P	HC, transmission PTO under upper edge of frame
D1N	Fold-up co-driver's seat	O2X	Optimised cab separation point, supply
D2Y	Seat belt monitor	O3K	Active Safety
D4Y	Sunblind, side, driver's side	O5R	Control code for A dimension, rear axle 415 mm
D5S	Seat cover, prem. flat-weave fabric, driver's seat	P0W	Cover, for major assemblies
D5T	Seat cover, prem. flat-weave fabr., passenger	Q1P seat	Front spring, 9.0 t, 3-leaf

Orderdata (Order 1423506116)

D5Y	Rubber mats, driver's and co-driver's side	Q3Z	Lowered frame, with residual bellow pressure ctrl.
D6F	Air conditioning system	Q7K	Trailer coupling, standard, D40, Rockinger
D6I	Residual engine heat utilisation	Q8G	Hand lever, bottom, for trailer coupling
D7G	Stowage compartment lid, driver and co-driver	R0L side	Tyres, customer request, FA
D8A	Roof hatch/vent, roof	R0M	Tyres, customer request, FA/lead. axle/trail. Axle
E0D	Battery sensor, Hella	R0N	Tyres, customer request, RA
E0F	Batteries from company Exide	R0Z	Wheel-nut cap
E1C	Batteries 2 x 12 V/220 Ah, low-maintenance	R1Q	15-degree tapered rims, 9.00 x 22.5
E1N	Alternator 28 V/100 A	R1T	15-degree tapered rims, 11.75 x 22.5, front axle
E2J	Automatic cutouts	R1Z	15-degree tapered rims, 11.75 x 22.5, trail. axle
E3E	Additional socket, 12 V/15 A, co-driver footwell	S1D	Stability Control Assist (ESP)
E3L	Socket, 24 V/15 A, co-driver footwell	S1H	Lane Keeping Assist
E3W	PSM, 2nd generation	S1L	Attention Assist
E4B	Interface, fleet management system FMS	S1O	Traffic Sign Assist
E4C	Additional functions, for body manufacturer	S1Y	Tyre pressure monitor
E4W	Starting-off aid, speed limit 30 km/h	S2D	Active Brake Assist 6
E5A	No. 1 switch, for non-MB body electrics	S2H	Active Sideguard Assist 2
E5B	No. 2 switch, for non-MB body electrics	S2L	Frontguard Assist
E5H	Switch for night-time driving light	S2Q	Sensor position, side radar, widened
E6A	Trailer socket, 24 V, 15-pin	S4A	Pre-installation for alcohol test on start-up lock
E6Z	Reversing buzzer	S5A	Speed limiter, 90 km/h (56 mph), ECE
E7F	Cable remote control for air suspension	S5Z	Cruise control
E9G	Provision for fitting electrical devices	S8A	First aid kit
F0F	Side module, N3 vehicle	S8C	Hazard warning triangle
F0X	Mirror cover, on-road vehicle	S8D	Warning lamp
F1O	M-cab ClassicSpace, 2.30 m, tunnel 320 mm	S8E	Reflective safety jacket
F1Q	M-cab	U0Q	Control code, HDEP Fuel Efficiency Package - FE1
F2C	Floor variant, tunnel 320 mm	U1U	Air compressor variant with through drive
F2G	Cab width 2.30 m	U1W	AdBlue lines, water-heated
F2M	Cab, 420 mm attachment height	U2G	Exhaust box
F2U	ClassicSpace	U2T	Control code, exhaust box, rear outlet
F3B	Cab mountings, comfort, steel-sprung	U2U	Control code, catalytic converter kit 1
F3W	Cab tilting mechanism, mechanical-hydraulic	U3D	Control code, CAN star points, classic
F4H	Cab rear wall, without window	U3F	Control code, global AdBlue sensor (GMS DEF)
F4X	Stowage compartment exterior flap, left	U3I	Control code, NFD standard
F5L	Sun visor, exterior, transparent	U3N	Control code, navigation map, EU region
F5Y	A-pillar trim	U3S	3rd-generation electronics architecture
F6D	Windscreen, tinted, with filter band	U4U	Control code, tail light bracket POS 3 HUF, 12 mm
F6I	Front mirror, heated	V0Q	Vehicle version in acc. w. GSR, phase B
F6R	Air horns, cab roof	V0S	Vehicle class N3
F7B	Bumper, with steel corners	V1O	Actros S/M cab
F7C	Bumper centre section with towing eyes	V1W	Standard
F7X	Cab entrance, left/right, rigid	V2F	Actros S/M cab, model generation 5

Orderdata (Order 1423506116)

F8B	2 remote control keys	V7W	Body type: sewage truck
F8E	Locking system, with central locking	V8A	Chassis number FIN
F8F	Extended central locking	V9G	Technical changes model year October
F8H	2 remote control keys, additional	W4M	Weight variant 28.0 t (9.0/11.5/9.0)
F8V	Light sensor	X2E	Model plate, EU
F8W	Rain sensor	X2T	Maintenance Documentation
F9K	Omission of wind deflectors	X2Y	Registration certificate, Part II, prepared
G0K	Drive program, economy/power	X3O	Mercedes-Benz OnRoadService
G0T	Predictive Powertrain Control	X3W	Powertrain warranty as per T and Cs 3yrs/450,000km
G2B	Transmission G 211-12/14.93-1.0	X4R	ATS warranty according to GTC, 4th year/600,000 km
G5A	Single-disc clutch	Y1G	Assignment of cab paintwork, top coat line 2
G5F	Clutch, remote-controlled	Y4H	Holder for wheel chock
G5G	Mercedes PowerShift 3	Y4J	2 wheel chocks
G5L	PowerShift Advanced	Z1H	EBS, Wabco
G5Y	Tachograph calibration, digital, ex factory	Z1S	Level control equipment, item 1
I2H	Tyres, tubeless, size 315/80 R 22.5, rear axle	Z1X	EAPU equipment, item 1
I2P	Tyres tubeless, 385/65 R 22.5, fr./lead./trl. axle	Z3A	Switch module 1, type A
I4C	Wheel arrangement 6x2, single-tyred trailing axle	Z3D	Switch module 2, type B
I5E	25.0-tonner	Z3F	Switch module 7
I6A	Rigid chassis	Z3H	Side marker lights, 1st pair
I6I	Vehicle production plant Wörth	Z3J	Side marker lights, 3rd pair
I6K	Heavy-duty model series, new generation from 18 t	Z3K	Side marker lights, 4th pair
I6N	Heavy-duty vehicles from 18 t, on-road	Z4B	Domestic (Germany)
I6X	Air suspension, rear axle	Z4O	Tank cross-section, narrow
J0U	Remote update of driving assistance map	Z4Q	Tank cross-section, low
J1M	Dig. tachograph, 2nd gen., version 2, ADR	Z5D	OM 470
J1S	Tachograph manufacturer VDO	Z5G	Fan position, on crankshaft
J2K	Speaker, 2-way system	Z5I	Fan ratio, 1:1.0
J2U	Navigation system	Z5N	PTO, double
J3U	Requirement: FleetBoard Manager app	Z5P	Clutch supplier F&S
J3Z	Axle load measuring device	Z5U	Power take-off, propshaft, under top edge of frame
J6C	Multimedia Cockpit, interactive	Z5V	Starter with M10, HDEP
J6W	Reversing camera, towing vehicle end	Z5X	Left-hand drive
J7A	Truck Data Center 8	Z5Y	Vehicle, for right-side traffic
J7V	Driving assistance map, Europe region	Z7J	Aluminium battery lines
J8U	Pre-installation for Truck Data Center 8	Z7K	Paint, additional control code
J9D	Provision for fitting toll tracking	Z7L	Exterior mirrors, painted
J9E	Provision for fitting LSVA recorder		

SP-REQ. no.	Description
-------------	-------------

Datenblatt – Model „P-Serie“

Fahrzeug

Chassis		MB Actros 2543 L
Achskonfiguration		6x2
Radstand	<i>mm</i>	4.300
hinterer Überhang mit Aufbau	<i>mm</i>	ca.1.770
Fahrerhaus		Mittel
Nebenabtriebe		zwei / getriebeabhängig

Tank

Werkstoff		Stahl
Gesamtvolumen	<i>m³</i>	15
nutzbare Schlammkammer	<i>m³</i>	14,8
Wasserkammern seitlich am Tank	<i>m³</i>	1,8
Länge	<i>mm</i>	6.200
Durchmesser	<i>mm</i>	1.800
Neigung	°	1,5
Bodenklappe		hydraulisch öffnend / hydraulische Verschlüsse

Saugen und Drücken

Volumenstrom Vakuumpumpe	<i>m³/h</i>	ca. 1.300
max. Betriebsunterdruck	<i>bar</i>	-0,85
Kühlung Vakuumpumpe		Wasser

Wasseranlage

Antrieb Wasserpumpe		hydraulisch
Antrieb Schlauchhaspel		hydraulisch
Schlauchdurchmesser Haspel		DN 13
Schlauchlänge	<i>m</i>	80
Druck (optional)	<i>bar</i>	175 (140)
Volumenstrom (optional)	<i>l/min</i>	80 (96)
Wasserkammer seitlich	<i>l</i>	1.800 – inkl. Skala

Ausrüstung

Schlauchtransportwannen	Edelstahl; links und rechts
Abfallsammler	kipubar, verzinkt
Pylonenhalter	für bis zu 5 Pylonen
Sprossenleiter	Aluminium, teleskopierbar
Bedienstand	Edelstahl; am Fahrzeugheck rechts angebracht
Schlauchtransporthaspel	40m / DN80
Funkfernbedienung	Einhand

Datasheet model SKW 15

vehicle

axles		6x2
wheelbase	<i>mm</i>	4.300
overhang back / chassis	<i>mm</i>	min. 1.350
overhang back / superstructure	<i>mm</i>	ca.1.770
cab		middle
powertraine	<i>kW</i>	316 (430 PS)
PTO		two / gearbox side

vacuum tank

material		steel
total capacity	<i>m³</i>	15
usable mud chamber	<i>m³</i>	14,8
water chamber lateral	<i>m³</i>	1,8
length	<i>mm</i>	6.200
diameter	<i>mm</i>	1.800
slope	°	1,5
bottom flap		hydraulic opening / hydraulic fastener

suck and pressure

volume flow compressor	<i>m³/h</i>	ca. 1.300
max. operating under pressure	<i>bar</i>	-0,85
max. operating over pressure	<i>bar</i>	0,5
cooling of vacuum pump		water

watersystem

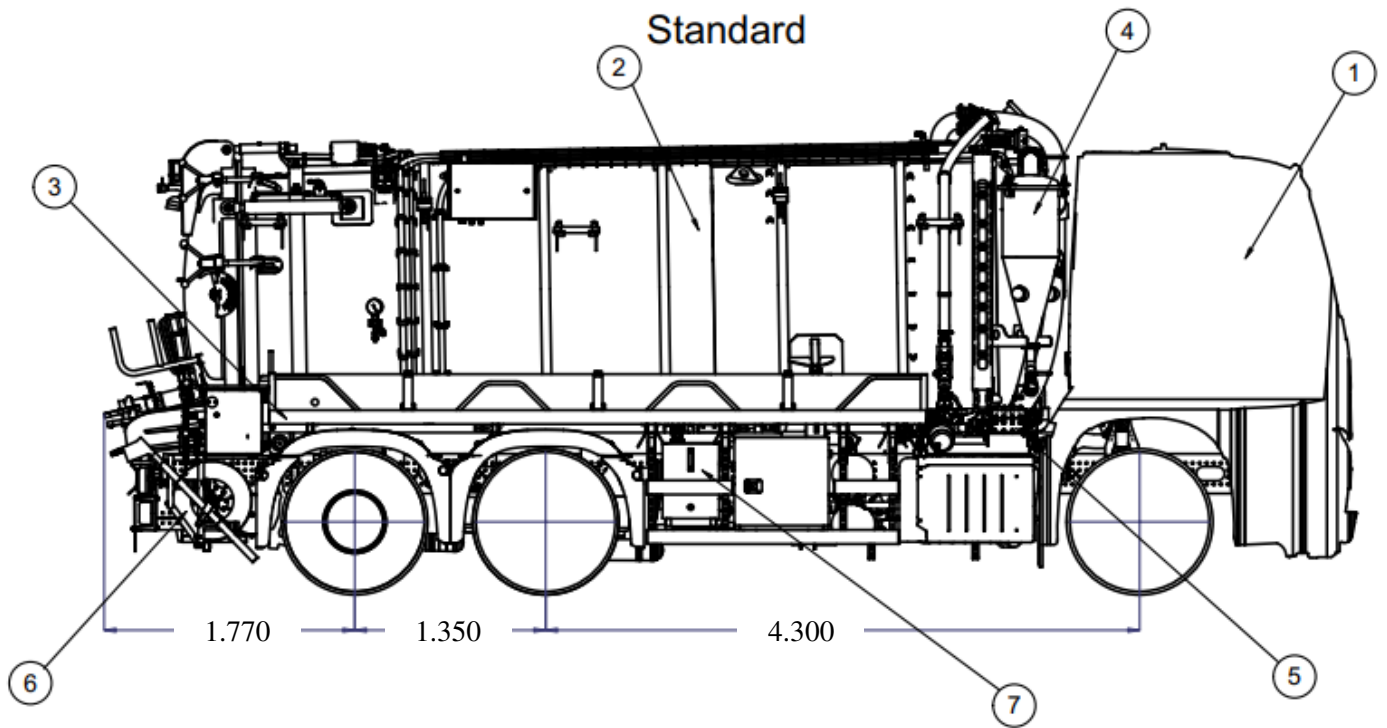
waterpump		Pratissoli KT30
drive waterpump		hydraulic
drive hose reel		mechanic
hose diameter reel		DN 13
pressure (option)	<i>bar</i>	175 (140)
volume flow (option)	<i>l/min</i>	80 (96)
size of water chamber	<i>l</i>	1.800 – inkl. scale

working lights

lateral	twice per site
rear	one / top of the tank

equipment

hose tube	stainless / left and right
garbage box	tilting, zinc-coated
traffic cone holder	up to 5
ladder	Aluminium / telescope
control board	stainless; left
holder for hoses	on the bottom / rear
hose transport reel	40m / DN80
remote control	one-hand steering



- 1 Fahrzeugkabine / cab
- 2 Vakuumtank / vacuum tank
- 3 Schlauchwanne / hose tube
- 4 Vorflutabscheider / separator
- 5 Hochdruckwasserpumpe / high pressure water pump
- 6 Schlauchhaspel Wasser / hose reel high pressure water
- 7 Ausgleichsbehälter Hydrauliköl / hydraulic oil tank

Technische Beschreibung – Standard

Saugen & Drücken

Vakuumpumpe	<ul style="list-style-type: none">▪ Rotations-Vakuumpumpe mit ca. 1.300 m³/h / Fahrzeug links▪ Wassergekühlt inkl. Kühler und Ausgleichsbehälter▪ Verbau auf Schwingungsdämpfer
Saug-Druck-System	<ul style="list-style-type: none">▪ 4-Wegehahn / pneumatisch betätigt▪ Sicherheit:<ul style="list-style-type: none">Feinfilter mit AblasshahnÜbersaugschutzSicherheitsventil Überdruck (max. 50 kPa)Ölabscheider in kombinierter Ausführung inkl. SchalldämpferBelüftungsventile zur Begrenzung BetriebsunterdruckKugelschwimmerventil zum Schutz des ÜbersaugensVorflutabscheider (verzinkt) als Zyklonabscheider

Tank

Gesamtvolumen	15m ³
Nutzvolumen Schlammkammer	ca. 13m ³
Nutzvolumen Frischwasser	ca. 1,8m ³
zul. Behälterdruck	+/- 100 kPa
zul. Betriebsdruck	-85 kPa / +50 kPa
technische Spezifikation	<ul style="list-style-type: none">▪ auf Hilfsrahmen über Gelenklager montiert▪ Bodenklappe und Frontdeckel in Flachbodenform▪ Behälterneigung ca. 1,5°▪ Bodenklappe Heck hydraulisch öffnend inkl. hydraulischer Verriegelung▪ Füllstandsanzeige Schlammkammer am Heck rechts angepasst an Schlammkammervolumen – 500L Schritte▪ Füllstandsanzeige Frischwasser über Plexiglas-Skala rechts, geschützt▪ beide Sauganschlüsse in Ausführung Perrot, Plattenschieber pneumatisch▪ Transportsicherung mittels Drehklappe▪ Entleerung über freien Auslauf oder Druckbeaufschlagung▪ Schmutzablauf am Heck, Edelstahl unlackiert

Bedienung

Aufbau	zu- und abschalten über Bedienelement im Fahrerhaus
Aufbau Steuerung / Bedienung	Edelstahl Bedienstand am Heck rechts in IP65 <ul style="list-style-type: none">▪ abschließbar▪ LED-Innenbeleuchtung▪ Vakuumpumpe ein/aus▪ HD-Pumpe ein/aus▪ HD-Haspel auf/ab▪ Betriebsstundenzähler

- Sicherheitseinrichtungen
- Umschaltung saugen-drücken-ausgleichen
- Motordrehzahl anheben und absenken
- Steuerung hydraulischer Systeme wie Bodenklappe auf / zu
- Bodenklappe: zusätzlicher Handhebel
- Steuerung der Sauganschlüsse auf/zu
- Transportsicherung
- Transporthaspel auf/ab

Hochdruckwasseranlage

HD-Pumpe	Pratisoli KT 30 (80L/min bei 175bar) <ul style="list-style-type: none"> ▪ hydraulisch angetrieben ▪ zusammen oder getrennt von Vakuumanlage schaltbar ▪ Druckregelventil stufenlos, Sicherheitsventil ▪ Restwasserentleerung per Fahrzeugluft ▪ Druckmanometer am Heck rechts, nahe Bedienstand
Schlauchhaspel	<ul style="list-style-type: none"> ▪ verbaut am Fahrzeugheck, rechts ▪ hydraulisch angetrieben ▪ 40m HD Schlauch DN13 + Hochdrucklanze

Beleuchtungs- und Warneinrichtung

Arbeitsscheinwerfer	<ul style="list-style-type: none"> ▪ 2x Fahrzeug links & 2x Fahrzeug rechts am Tank ▪ 1x Fahrzeug Heck oben am Tank
Konturmarkierung	<ul style="list-style-type: none"> ▪ seitlich Weis und Heck rot bzw. Rot-Weis nach DIN 30710

Anbauteile & Ausrüstung

Schlauchkästen	<ul style="list-style-type: none"> ▪ 2x links und rechts auf Hilfsrahmen, maximale Länge ▪ Ausführung in Edelstahl inkl. beidseitigem Ablass
Abfallsammler	<ul style="list-style-type: none"> ▪ kippbar und verzinkt ▪ am Fahrzeugheck links
Unterfahrschutz Heck	<ul style="list-style-type: none"> ▪ Ausführung als Leuchtenträger nach ECE58 R 03 ▪ Aluminium, inkl. Heckleuchtenabdeckung
Leiter	<ul style="list-style-type: none"> ▪ Anlegeleiter aus Aluminium, teleskopierbar

Hydraulik

- | | |
|---------------------|--|
| Hydraulikölpumpe(n) | ▪ passend zum Aufbau und für den Dauerbetrieb aller Verbraucher ausgewählt |
| Ölkühlung | ▪ Ölkühler seitlich am Behälter verbaut inkl. Schutz, nicht verdeckt |
| Ausgleichsbehälter | ▪ verbaut am Chassis, seitlich rechts |

Sicherheitsausstattung

- | | |
|------------------------|--|
| Sicherheitsabschaltung | ▪ Not-Aus über Bedienstand und Fernbedienung möglich |
|------------------------|--|

Design

- | | |
|------------------|----------------------------|
| Aufbaulackierung | ▪ Hochglanz, ohne Klarlack |
|------------------|----------------------------|